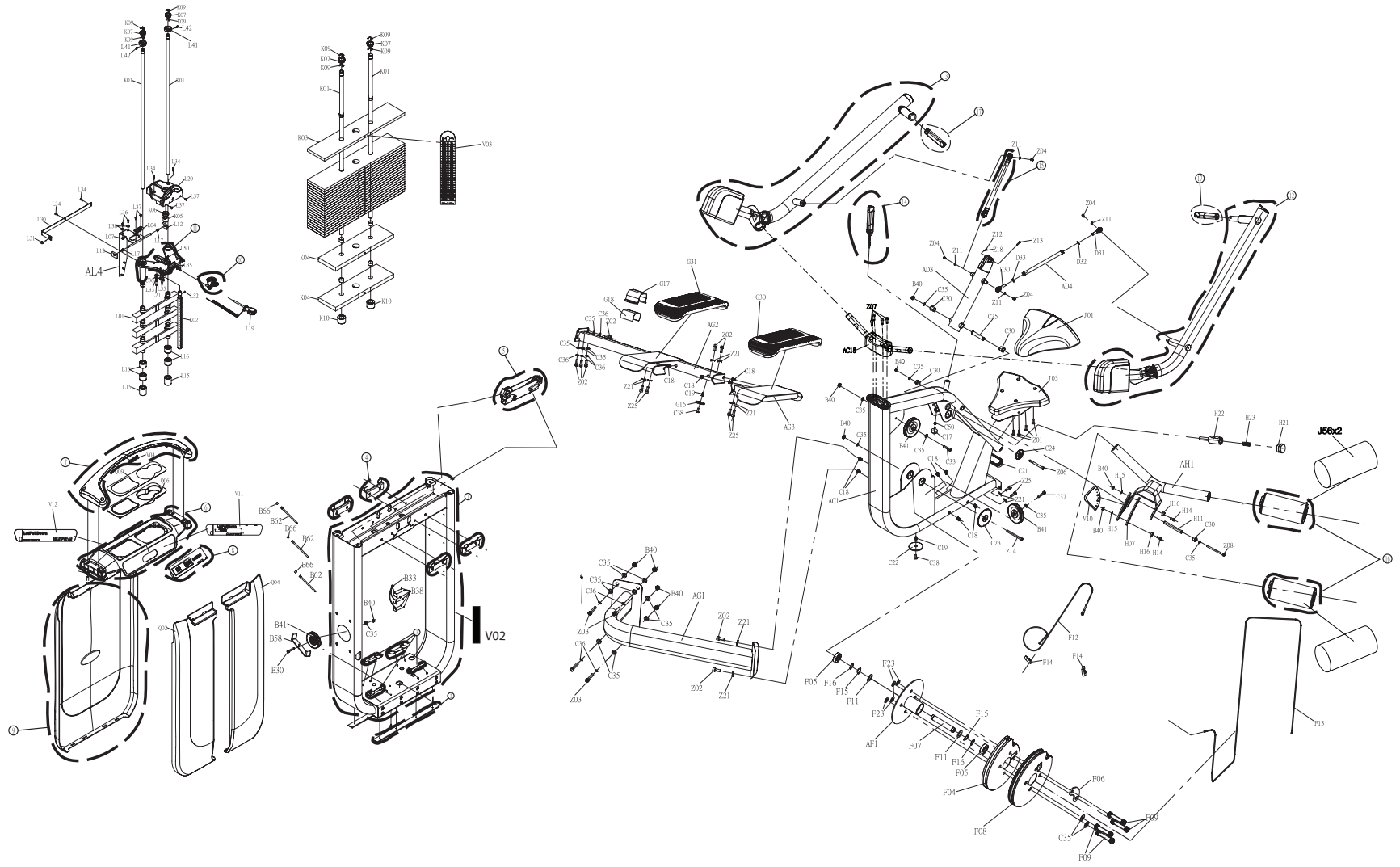
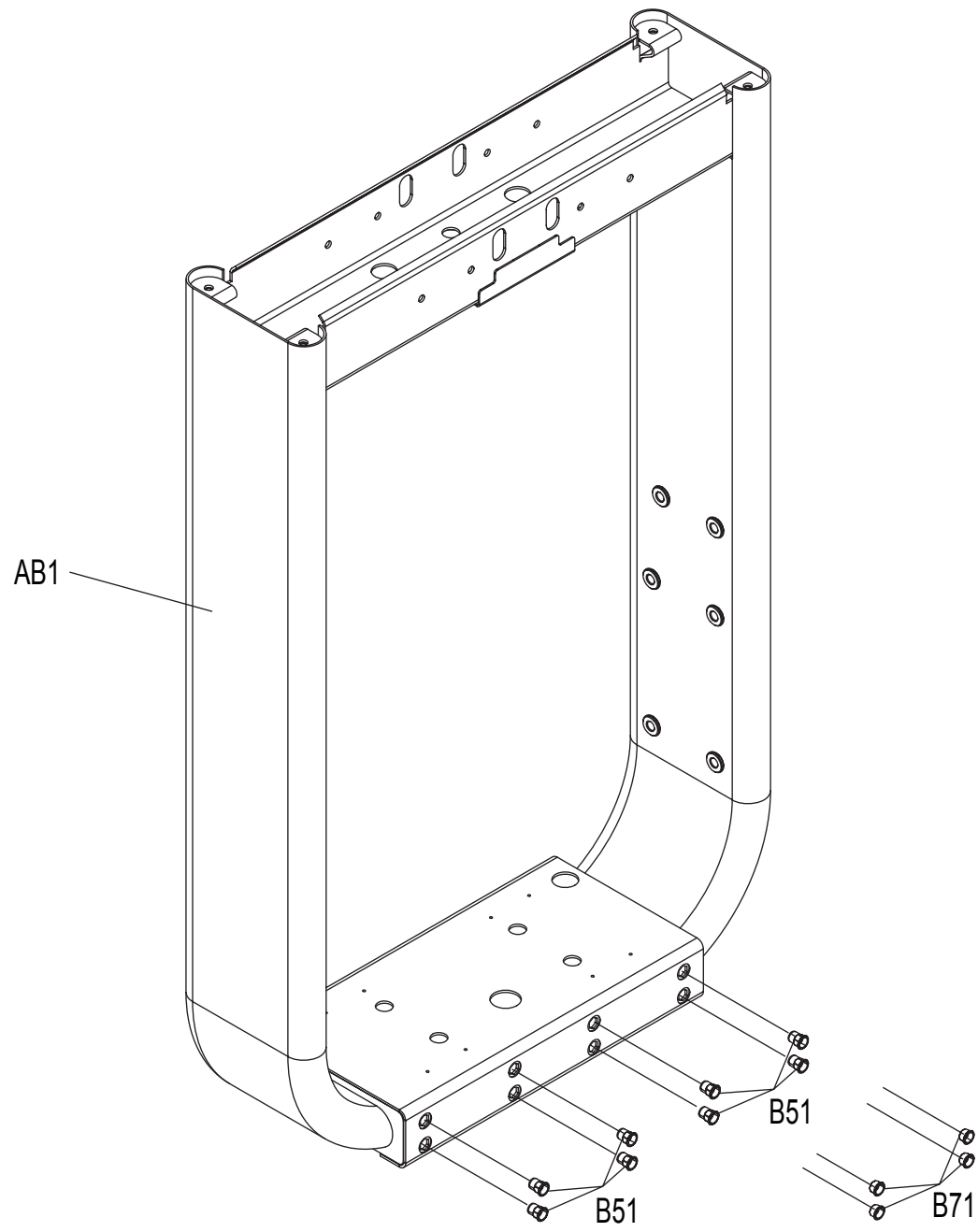


DRAWING NO	GM42-KM		
PART NAME	MF;G7S30;GM42;KM;M		
PART NO	MGM0336-PO	K	A
APPROVE	GUIBIN	DATE	2011.1.8

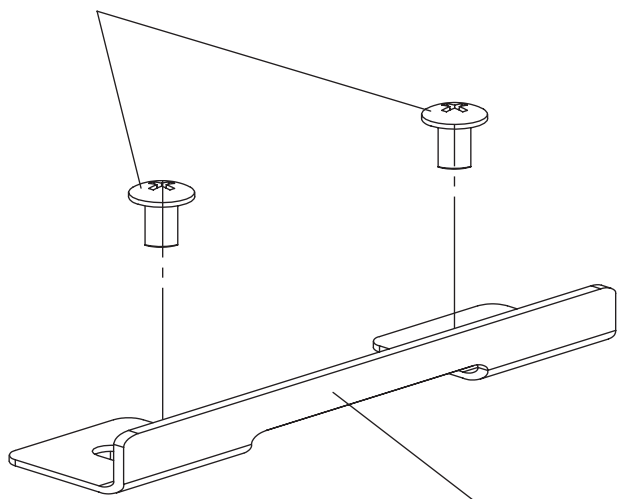


DRAWING NO			
PART NAME	Frame Set		
PART NO	100990	REV	A
APPROVE	GUIBIN	DATE	20101214



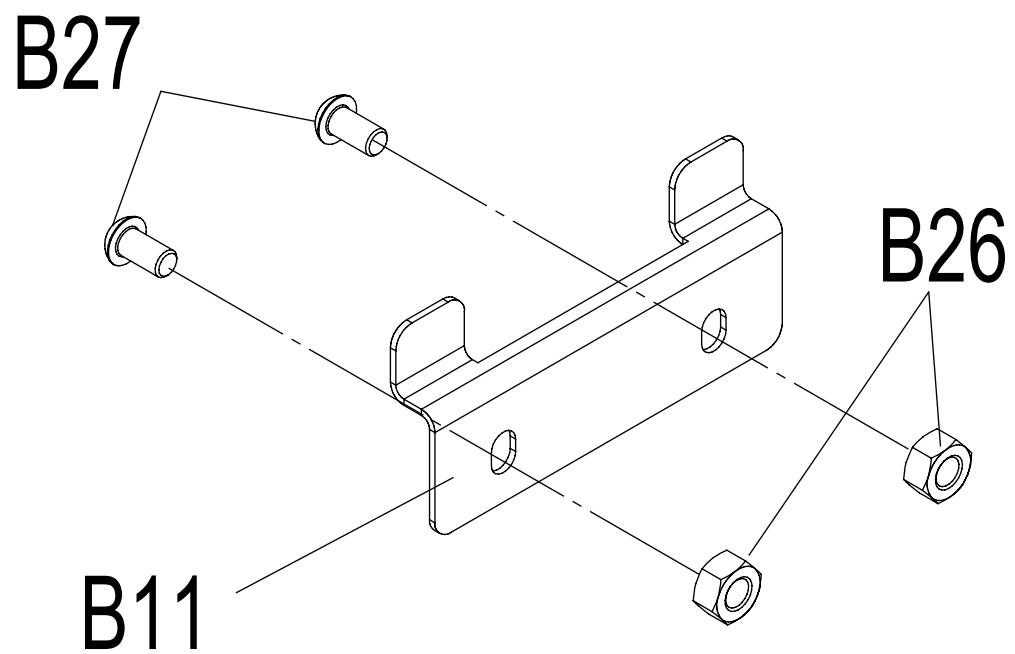
DRAWING NO			
PART NAME	Down Cover;Fixing Frame		
PART NO	1000104014	REV	A
APPROVE	GUIBIN	DATE	20101214

**B28**



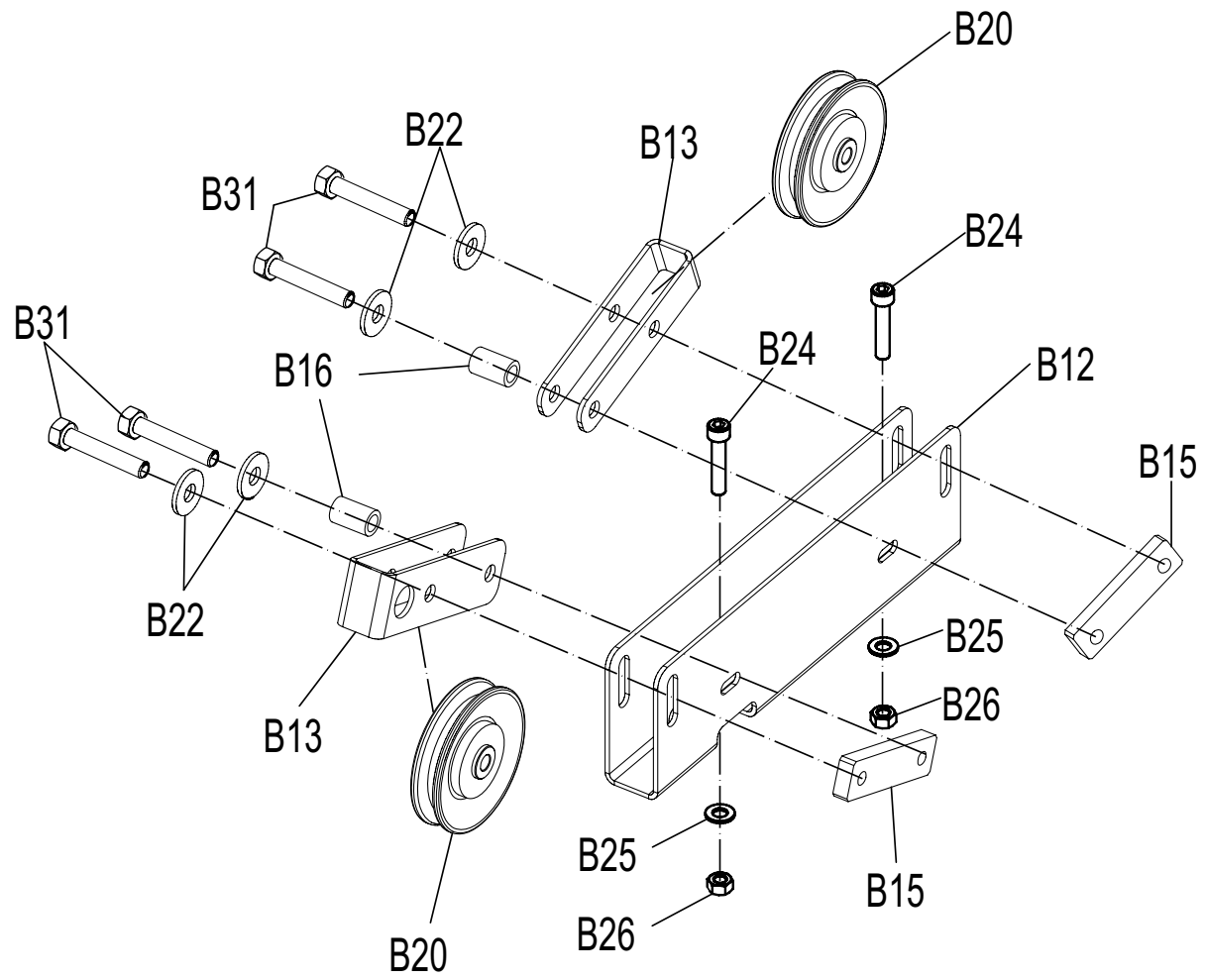
**B10**

DRAWING NO			
PART NAME	UP Cover;Fixing Frame		
PART NO	1000108499	REV	A
APPROVE	GUIBIN	DATE	20101214

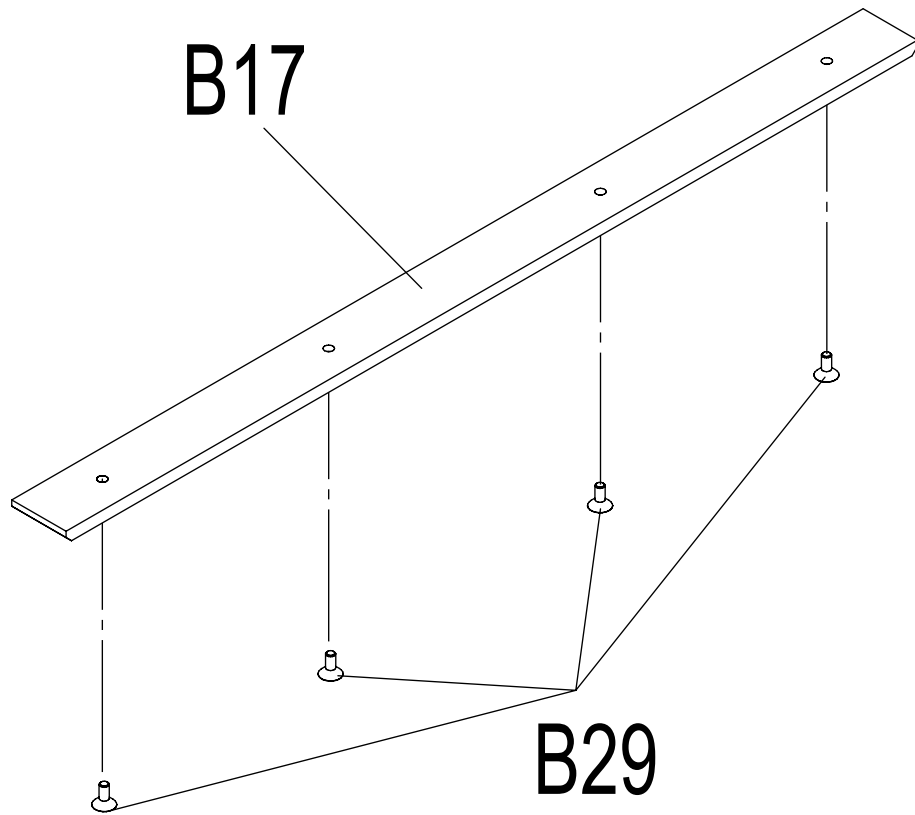




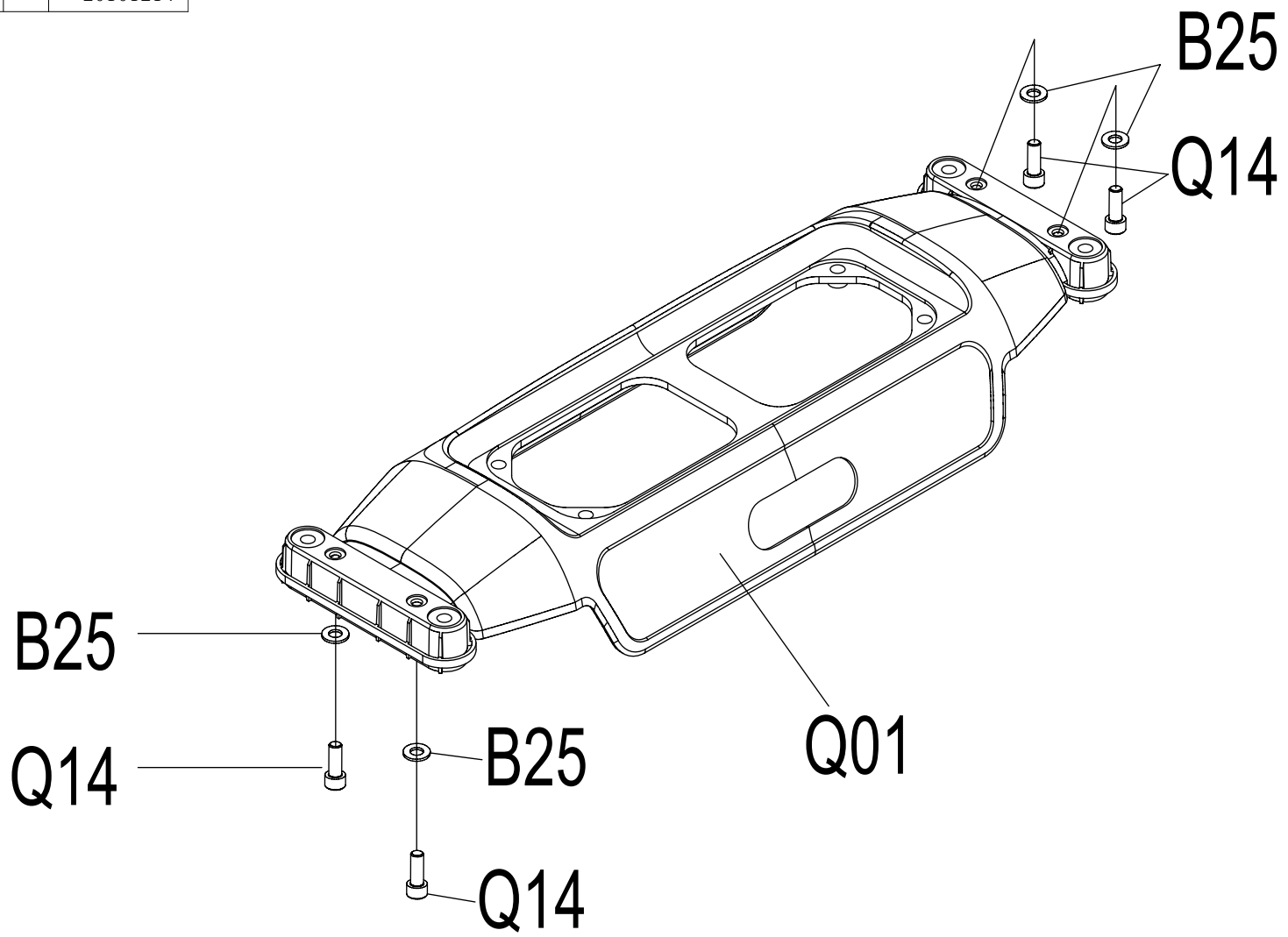
DRAWING NO			
PART NAME	Fixing Base;Slide Pulley		
PART NO	1000108735	REV	A
APPROVE	Kevin	DATE	20101214



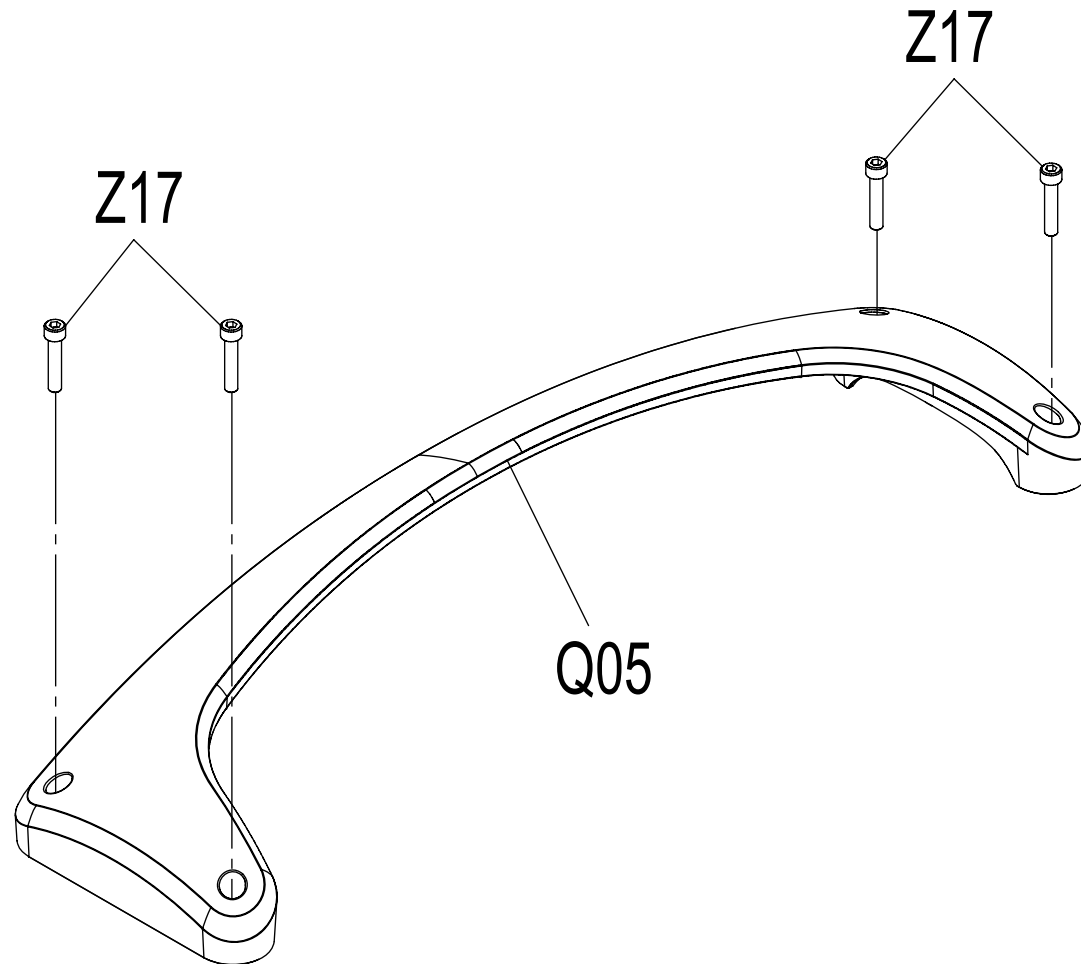
DRAWING NO			
PART NAME	Fixing Plate;D		
PART NO	1000108348	REV	A
APPROVE	GUIBIN	DATE	20101214



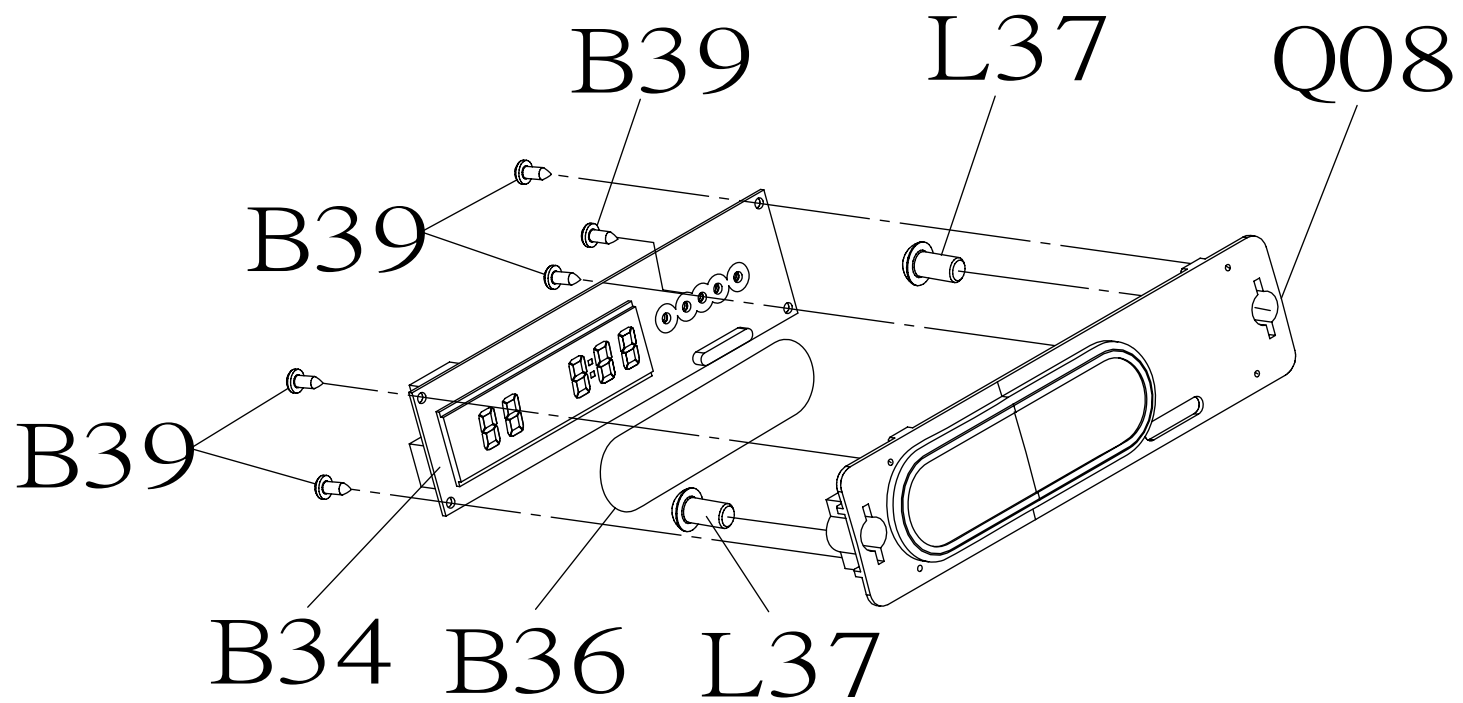
DRAWING NO			
PART NAME	Cover;Up		
PART NO	1000108738	REV	A
APPROVE	GUIBIN	DATE	20101214



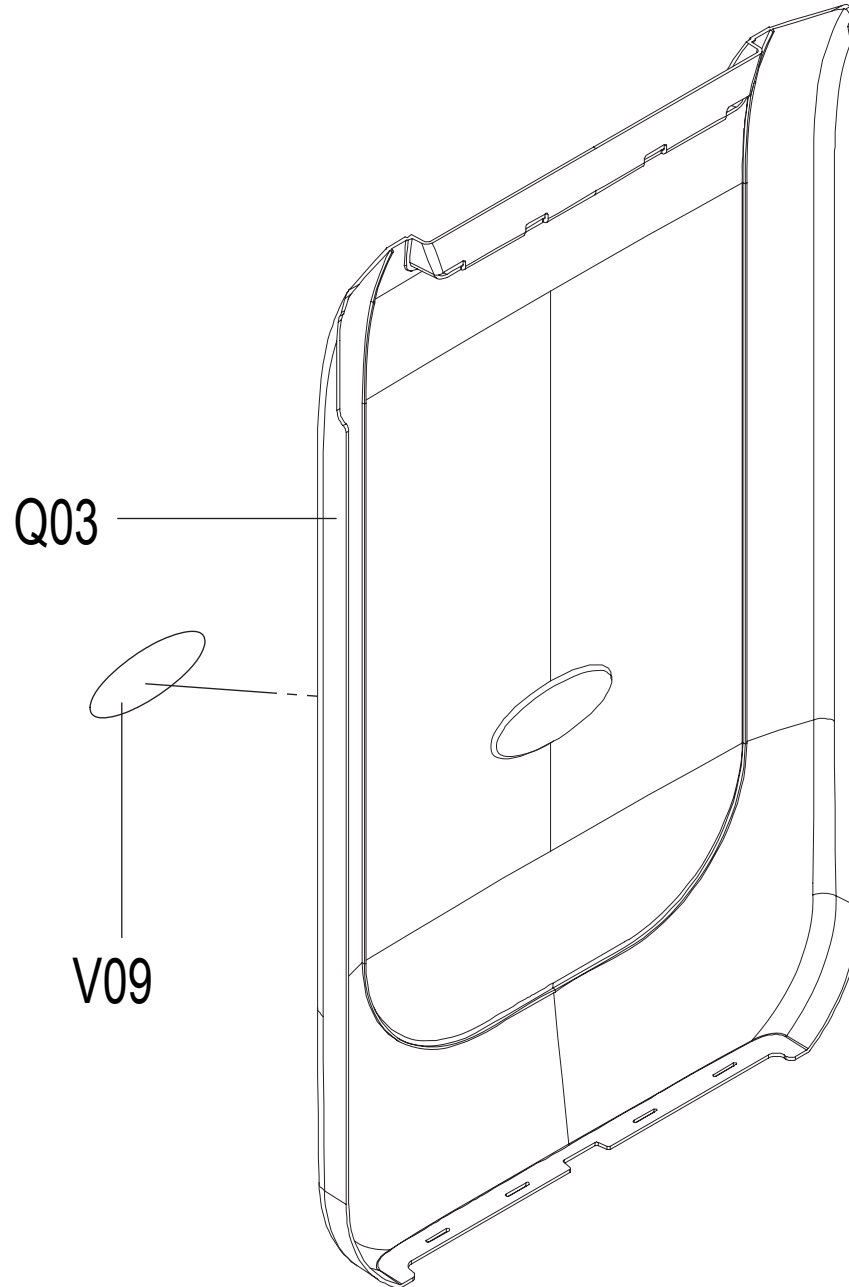
DRAWING NO				
PART NAME	Grip;Up Cover			
PART NO	1000108737	REV	PR	A
APPROVE	GUIBIN	DATE	20101214	



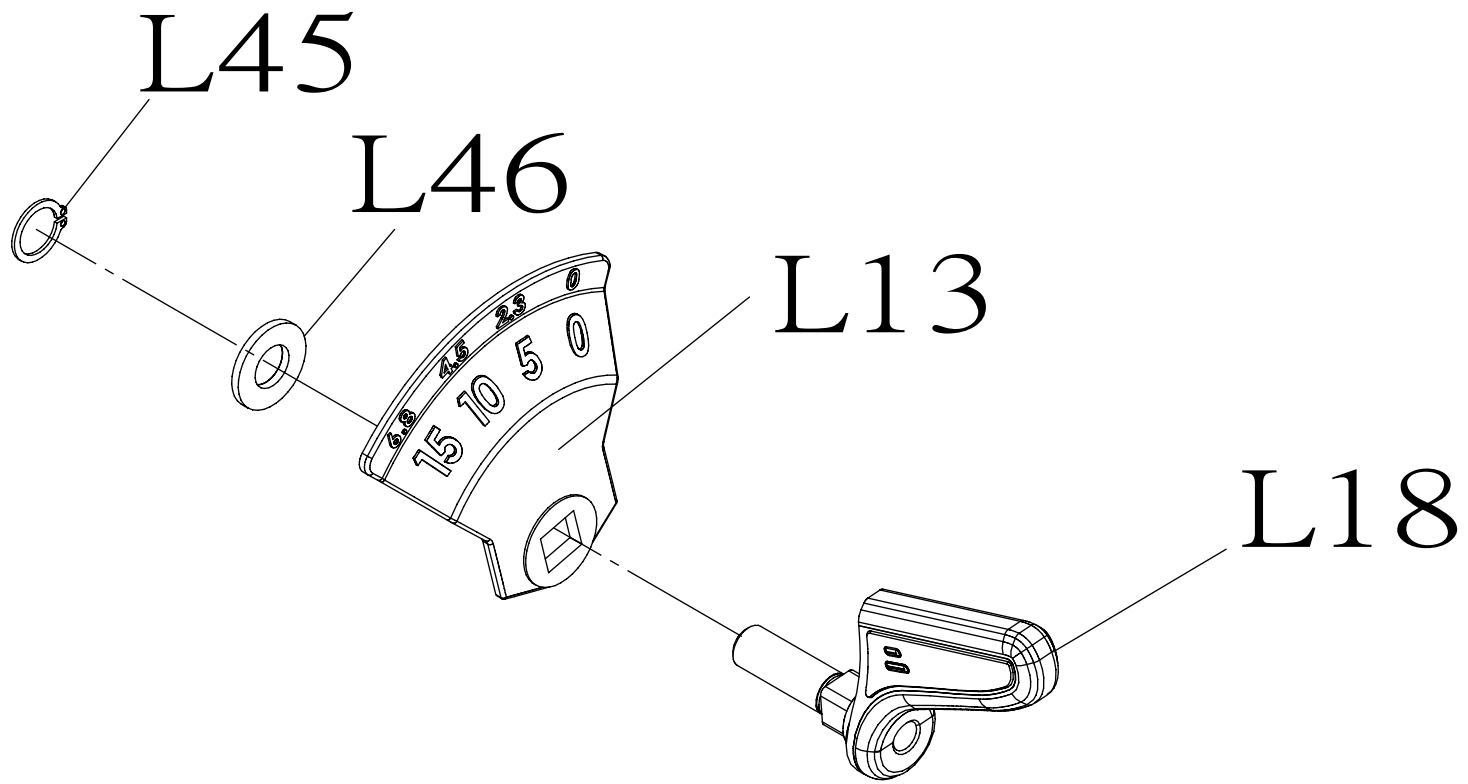
DRAWING NO			
PART NAME	Fixing Base		
PART NO	1000108347	REV	A
APPROVE	GUIBIN	DATE	20101214



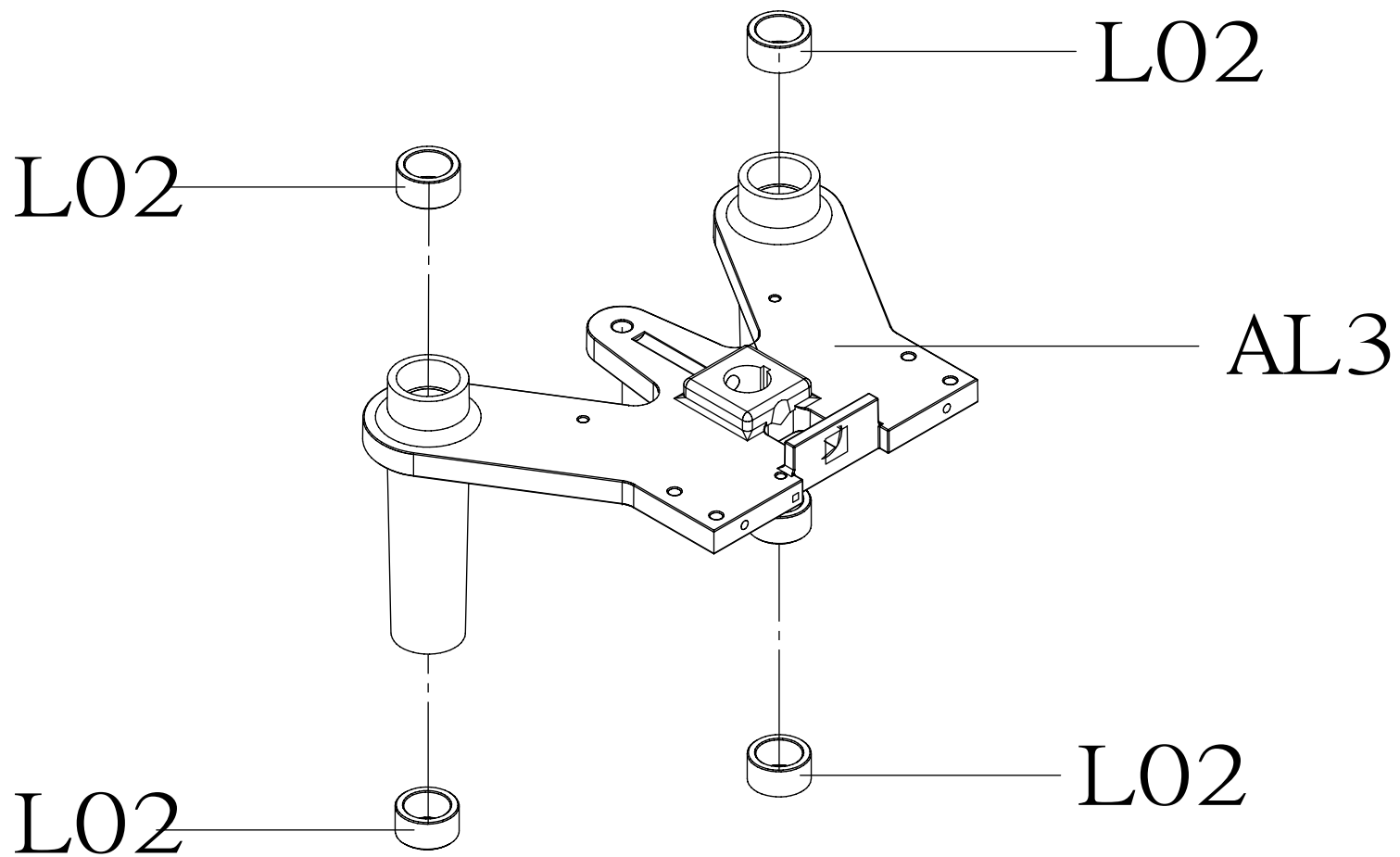
DRAWING NO			
PART NAME	Cover;Rear		
PART NO	1000108343	REV	A
APPROVE	GUIBIN	DATE	20101214



DRAWING NO			
PART NAME	Dial		
PART NO	1000108344	REV	A
APPROVE	Kevin	DATE	20101214

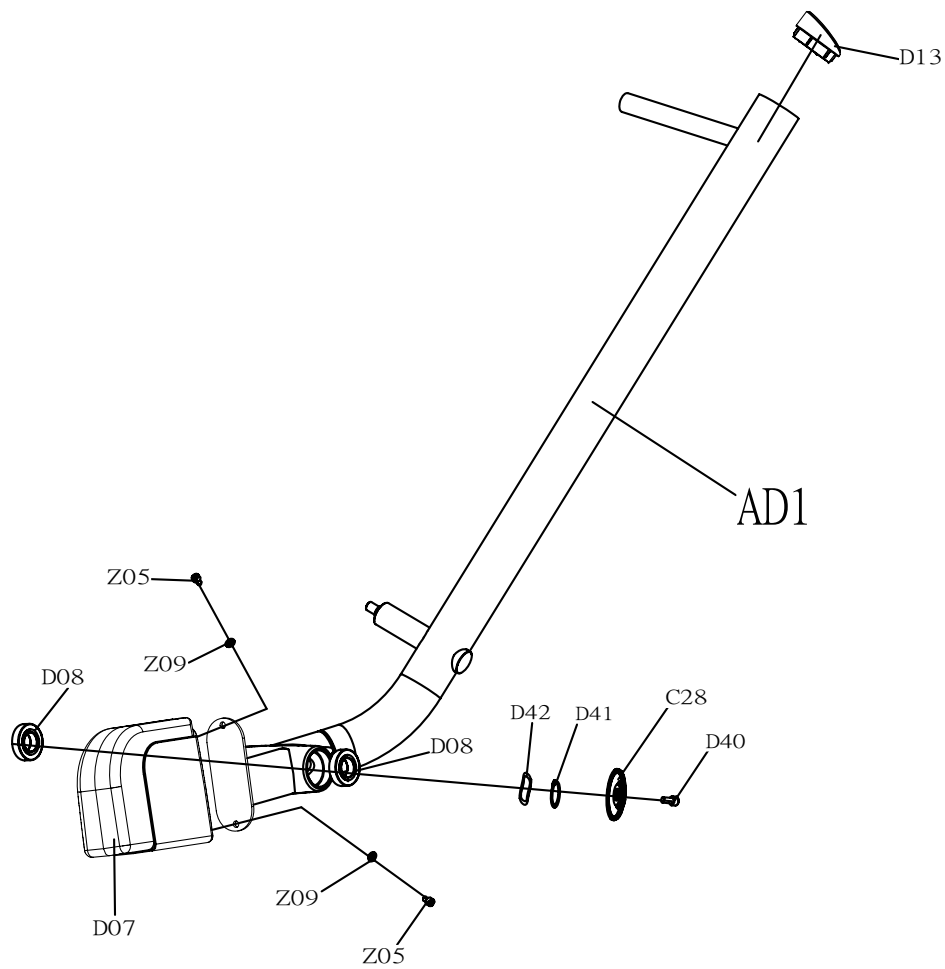


DRAWING NO			
PART NAME	Support Base;Incremental Weight		
PART NO	1 000213066	REV	A
APPROVE	Kevin	DATE	20101214

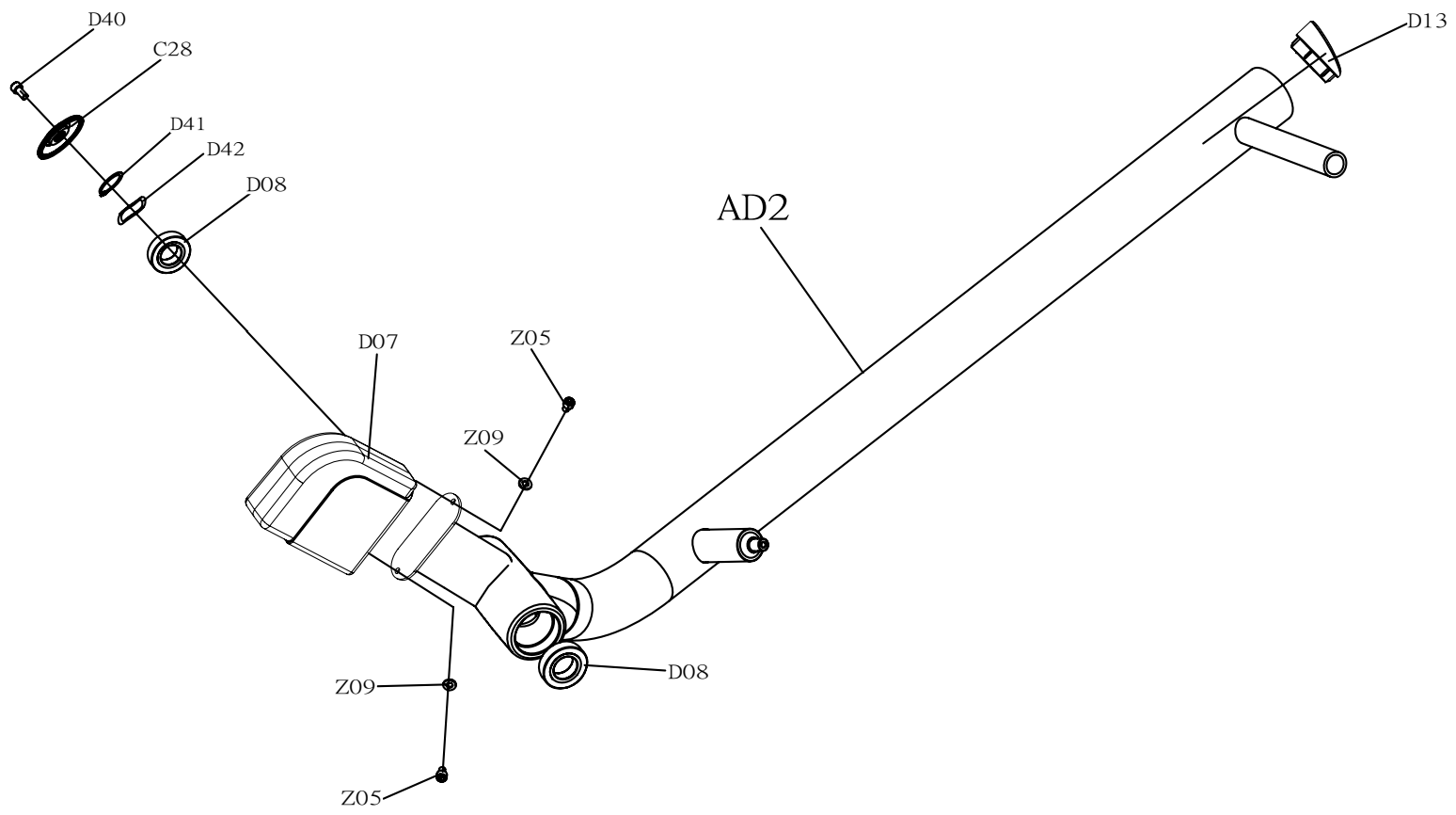




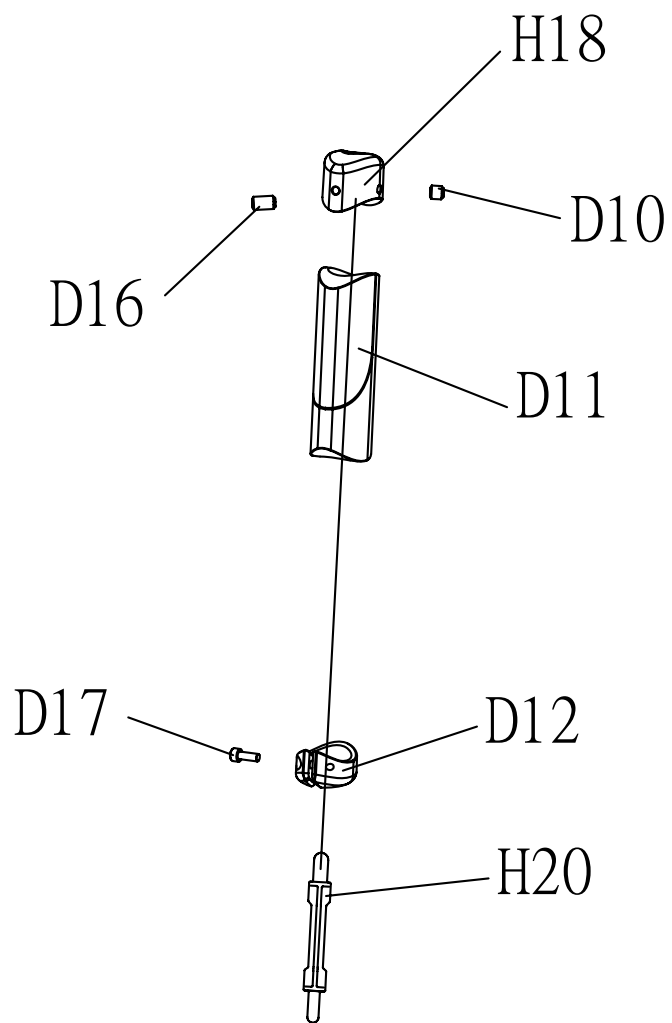
DRAWING NO			
PART NAME	Peadal Arm Set Left		
PART NO	1000108610	REV	A
APPROVE	GUIBIN	DATE	20101214



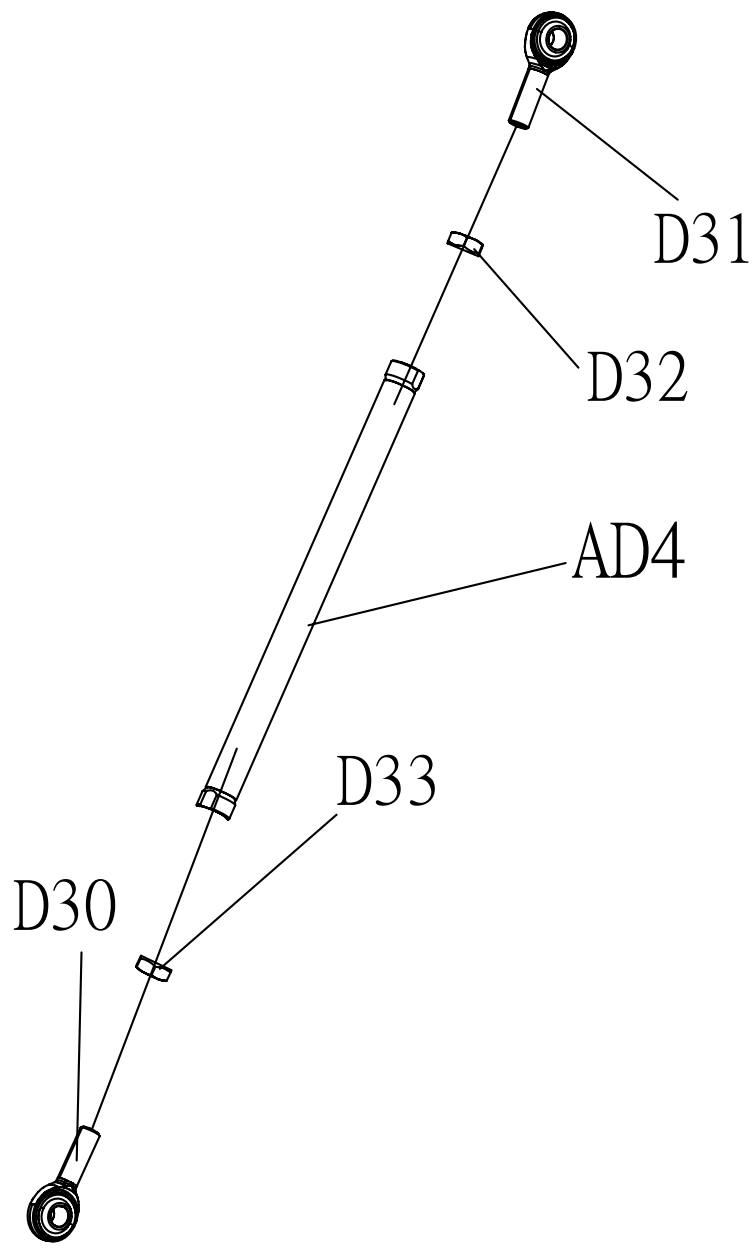
DRAWING NO			
PART NAME	Pedal Arm Set Right		
PART NO	1000108609	REV	A
APPROVE	GUIBIN	DATE	20101214



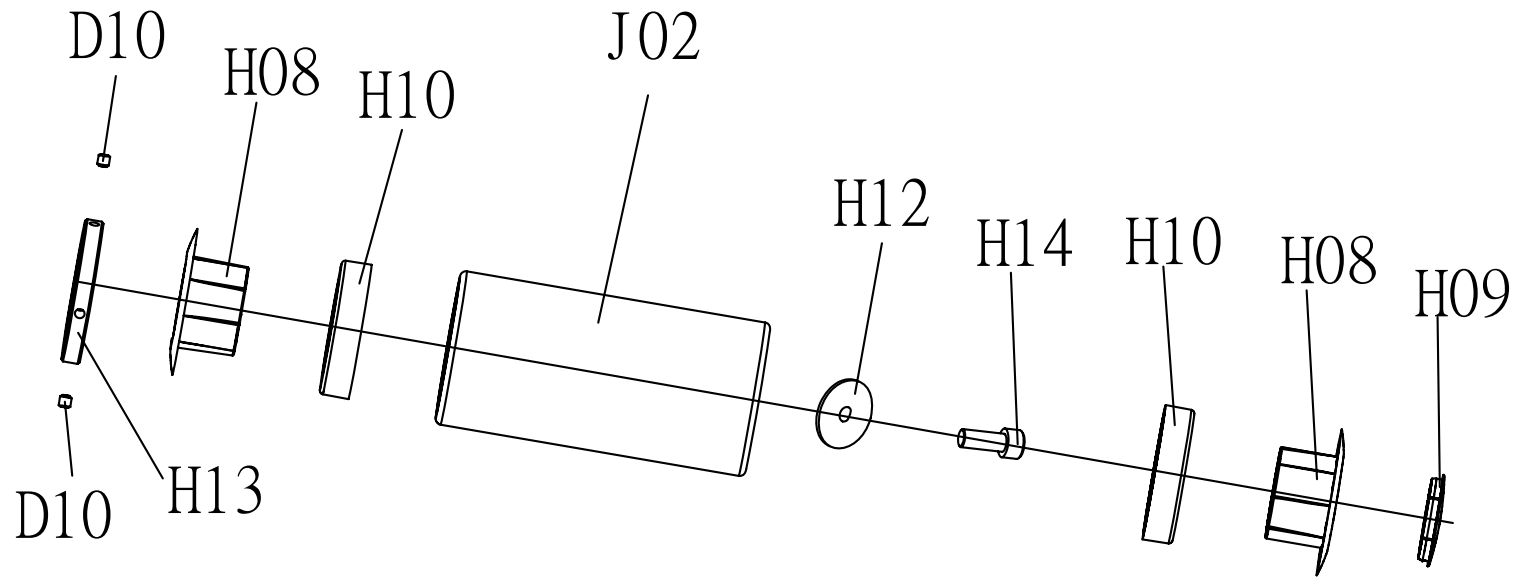
DRAWING NO			
PART NAME	Grip Set		
PART NO	1000108492	REV	A
APPROVE	guibin	DATE	2010.12.20



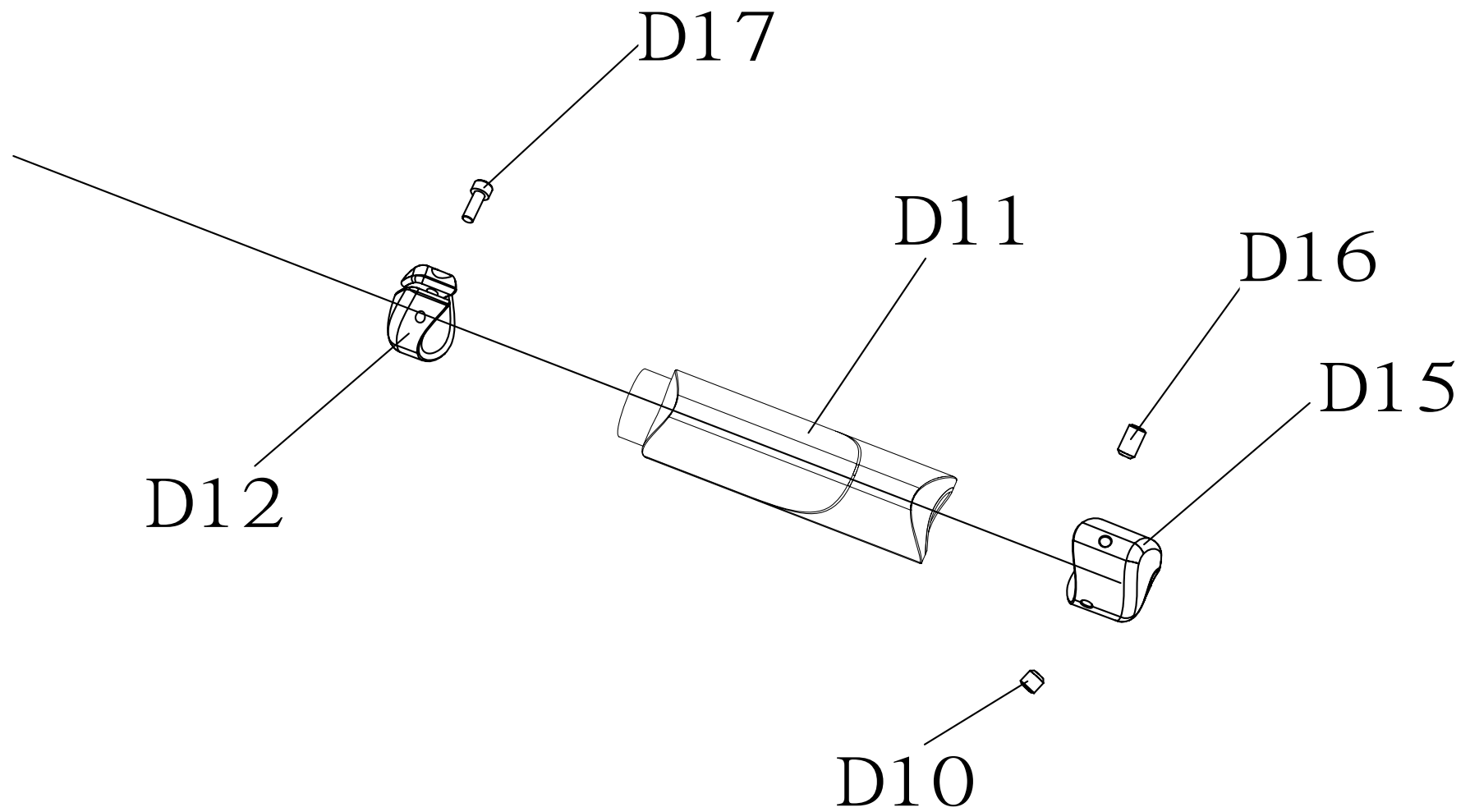
DRAWING NO			
PART NAME	CON Rod Set Peadal Arm		
PART NO	101003	REV	A
APPROVE	guibin	DATE	2010.12.20



DRAWING NO			
PART NAME	Leg Pad Vesicant		
PART NO	1000108493		
APPROVE	guibin	DATE	2010.12.20



DRAWING NO			
PART NAME	Handle set		
PART NO	1000217491	REV	A
APPROVE	JEFFREY	DATE	20110517



Bubble#	OEM Number	Description	Notes
1	100990	Weight Stack Frame Set GM42-KM	
11	1000204186	Top Weight Plate Set	
14	1000108492	Push ROM Pin Set ADJ Leg Pad GM42(s#ervice)-1	
15	101003	Connecting Rod Set Pedal Arm Semi-Assy GM42-KM	Only compatible with units BEFORE G7GM1308GA016.
17	1000108698	Grip Set Arm GM42	
2	1000108348	Accent Plate Set D PP GM40(service)	
3	1000319463	Down Cover Set Fixing Frame Iced Sliver	
4	1000108499	Upper Fixing Plate Weight Stack Shield GM40-KM(s	
5	1000108735	Double Pulley Frame Set GM40-K	
6	1000108508	Upper Cover Set Weight Stack ABS GM40(service)-5	Includes decals (V11 & V12)
8	1000108347	Repetition Counter Set PC GM40(service)	
9	1000108343	Weight Stack Shield Rear ABS GM40(service)	
AC1	101001	Seat Frame Set Painting GM42	
AC18	1000359767	Pedal Arm Assembly Rendering GM43	Upgraded arm. Used in production on units 1504 and later. Retrofittable for older models. See the service bulletin Arm Structure Upgrade. Only compatible with units BEFORE G7GM1308GA016.
AD3	1000341630	Pedal Arm set Semi-Assy down Old frames	
AF1	1000320695	Axle Cam painting NA Iced Sliver GM42-	
AG1	1000320693	Disassembly connect set Iced Silver Paint	
AG3	1000320692	PEDAL L painting NA Iced Sliver GM42-K	
AH1	1000320694	Leg Pad Set painting NA Iced Sliver G	NOTE: The Leg Pad Frame Set was redesigned as part of the Ultra/G7 Upgrade. If unit still has the original Leg Pad Frame Set (the axle H11 is still held on by two screws) and it needs to be replaced, also order C35, H07, and Z08.
B13	098978	Fixing Plate Pulley Right SPHC GM40	
B15	098970	Fixing Block Pulley SPHC GM40	
B16	1000108501	Bushing CON Rod Peadel Arm painting GM40	

B20	<b>073572</b>	Pulley 90mm
B22	020465-AB	Washer Flat M10.2X25PX2.0T Chromed
B24	004479-ABX	Screw Hex Socket Round M8x1.25Px15L Cr A
B25	005145-AC	Washer Flat 8.2x19.0x2.0T Chromed
B26	004929-00	Nut Nylon M8x1.25P Chromed
B27	004719-AB	Screw BH M8X1.25PX12L HS CHM G12.9
B28	1000103438	Screw Cross BH Tapped 4x10L A Class ke
B30	1000108189	Screw RND M10x1.5Px50L-15L MT HS CST CHM
B31	1000108188	Screw HH M10x1.5Px55L MT CST CHM BP G12.
B32	1000096026	Fixing Base Sensor ABS GM40
B33	<b>1000096531</b>	Speed Sensor Wire 1200mm(2.5-5P) GM40
B36	1000096575	Overlay Manipulate GM40
B37	004357-00	Screw Phillip BH M4x0.7Px15L
B38	040816-A	Screw Phillip BH Tapped 3x8L
B39	020196-A	Screw Phillip BH Tapped 3x6L Zn-BL

NOTE: Redesign. This nut replaces a screw on the original design. If the axle H11 on the unit is still held on by two screws, also replace AH1, C35, H07, and Z08.

B40	<b>1000105174</b>	Nut Nylon M10x1.5P G12.9 CHM
B41	<b>073573</b>	Pulley 115mm
B51	1000105068	RVN HX NKHS-10 YZN
B58	1000319392	Stopper Pulley painting Iced Sliver GM
B62	005811-00	Cable Tie Nylon Black 160L
B66	001679-00	Tie Strap Adhesive Nylon 66 HC-101 W
B71	1000104003	Cap Insert Nut GM40-KM
C17	090440	Stopper BlockRubber GM30
C18	1000105068	RVN HX NKHS-10 YZN
C19	1000105069	RVN HX NHS-610-3.0 YZN
C21	1000096013	Cap Two ABS GM40
C22	1000104027	Fixing Plate Base GM40
C23	1000098049	Pulley Cover Big Base ABS GM40
C24	<b>1000098050</b>	Pulley Cover Small Base ABS GM40
C25	099006	Axle Seat ADJ 42CrMo GM40



C28	<b>1000098051</b>	Bearing Cover Base ABS GM40
C30	1000096014	Bushing 15x19x20T GM40
C33	004549-00	Screw Hex Socket Round M10x1.5Px55L Cr
C35	020465-AB	Washer Flat M10.2X25PX2.0T Chromed
C36	005017-00	Washer Spring SW10 10.2X18.4X2.5T Chromed
C37	<b>1000102864</b>	Screw Hex Socket Round M10x1.5Px60L Cr P
C38	1000104669	Screw FH M6x1.0Px25L HS CST CHM 8.8Class
C50	020379-00	Nut Hex M8X1.25P SS41 CHM
D07	1000216132	BALANCE PLATE - 14.5KG - - HT200
D08	004078-A2	Ball Bearing 6005ZZ Z25XZ47X12T TPI
D10	004855-AC	Set Screw M6X1.0PX4L
D11	1000110841	Grip Pedal Arm wrap rubber GM42-KM
D12	096208	Adjustment Handle Lower Stopper Ring
D13	1000096996	Cap Three PP GM40
D15	096209	Cap Grip Peadal Arm ADC12 GM42
D16	020329-00	Set Screw M6X1.0PX12L
D17	1000108801	Screw RND M5x0.8Px15L HS CHM BP G8.8
D30	<b>1000093119</b>	Bearing Rod End Left THREAD(EXTERNAL) M12 G
D31	<b>1000093120</b>	Bearing Rod End Right THREAD(EXTERNAL) M12 G
D32	1000096510	Nut HX M12X1.75P SS41 CHM
D33	1000096511	Nut HX M12X1.75P SS41 CHM LEFT KNOB
D40	1000102863	Screw Hex Socket Round M10x1.5Px15L Cr P
D41	1000104682	Circlip External C Type S-25 BAN
D42	005219-00	Washer Wavy 26.0x35.0x0.3T
F04	<b>1000110454</b>	Cam Small GM42
F05	004072-A2	Ball Bearing Flywheel 6002ZZ
F06	<b>1000319402</b>	Steel Rope Stopper Plate painting Ice
F08	<b>1000110460</b>	Cam Bigl VHMWPE GM40
F11	020467-A	Washer Flat 16.0x25.0x1.0T

NOTE: The size of this washer has changed. If M8 still present on the unit, also replace AH1, B40, H07, and Z08.

See service bulletin "Improved End Bearings".  
See service bulletin "Improved End Bearings".

F12	1000214931	Steel Rope SERVICE 6.0X	1427mm Length - Use for serial numbers prior to G7GM42E1003GA0001 (lower cable)
F12	1000213949	Steel Rope A Press Rope Hand Extrawork G	1408mm Length - Use for serial numbers G7GM42E1003GA0001 and later (lower cable)
F13	1000104024	Steel Rope B	3112mm length, ball end - Use for units produced before G7GM42E1003GA0001 that have NOT completed phase 3 rework.
F13	1000214579	Steel Rope B CAPLE END SHORT SERVICE	3008mm length, ball end - Use for units produced between 10.03 and 12.10 that have NOT completed phase 3 rework.
F14	1000212388	Fixing Plate Cable Head- 45# BED GM40	
F15	1000105072	Washer WW 65Mn BAN 15.5x22.5x0.3t	
F16	003710-00	Clamp External C-Shaped S-15	
F23	103406	Washer Flat 8.2x20.0x1.8t Cr Plat	
G16	1000095584	Foot Pad Pedal Set PP GM42	
G17	1000319422	Frame Fix Plate painting Iced Sliver	
G18	1000096017	Rubber Pad Fixing GM40	
G30	1000210339	Rubber Pad Left Pedal GM42-KM	
G31	1000210340	Rubber Pad Right Pedal GM42-KM	
H07	1000095592	ADJ Plate Leg Pad SPHC 6.0t GM42	
H08	1000095593	Cap Leg Pad ABS GM42	
H09	1000095594	Cap Leg Pad ABS GM42	
H10	100995	Stopper Ring Leg Pad ABS GM42	
H11	096020	Axle Leg Pad 42CrMo GM42	You may need to drill out the ROM plate as axle has changed from M8 to M10 as re-design. You may also need to send hardware C35, H07, B40, and Z08, and send updated leg pad frame AH1.
H12	096073	CON Plate Cap SPHC3.0t GM42	

H13	096074	Stopper Ring Cap AL6061 GM42
H14	004539-AD	Screw Round Hex Socket M8X1.25PX25L Chromed
H15	005130-00	Washer Flat 8.4x15.5x1.6T Chromed
H16	001523-E	Rubber Stop CAM
H18	096211	Cap Grip Leg Pad ADC12 GM42
H20	1000097194	Pull Pin Seat Pad
H21	096157	Fixing Block Spring 45# GM42
H22	096159	ADJ Rod Leg Pad GM42
H23	1000393222	Spring Compression 1.3x12.7x38Lx7 SWP
J03	1000096165	Plastic Cover Seat Pad GM40
K01	1000200981	Guide Rod Weight plate
K02	096228	Adjustment Rod Weight Plate 20# GM40
K03	1000092645	Weight Plate Set 18LBS Long M40
K04	1000092647	Weight Plate Set 18LBS Short GM40
K05	099055	Fixing Block UP Guide Rod 45#GM40
K06	1000096999	Cover Front Rubber Black GM40
K07	1000202352	Cushion Guide Rod
K09	1000102915	Circlip E Type E-15 Cr Plate
K10	019151-AA	Rubber Bumper Weight Stack
L01	1000092648	Incremental Weight Plate Set 5LBS M40
L02	1000092646	Axle Sleeve Guide Rod 23X20X15L GM40
L04	099053	ADJ Base R Incremental Weight Plate GM40
L07	099056	U Cover IncrementalWeightPlate 20# GM40
L12	099052	ADJ Base L Incremental Weight Plate GM40
L15	1000096167	Axle Sleeve Two Weight Plate Rubber GM40
L16	1000092641	Axle Sleeve Weight Plate Rubber GM40
L17	099064	Sleeve D IncrementalWeight Plate POM GM4
L19	1000372592	Adjustable Pin Set Weight plate GM40
L21	1000096021	Screw SET M10X1.5P
L30	1000108497	Fixing Rack Counte Painting GM40-KM(ser
L31	1000096022	Magnet Counte GM40
L32	1000096023	Half-moon Key 20# GM40
L33	1000092656	Nut HX M10X1.5PX10L SS41 CHM
L34	1000097408	Screw SH M5X0.8PX12L HS G8.8 CHM

L35	1000097848	Screw SH M5X0.8PX15L HS CHM	
L36	1000097849	Screw BH M5X0.8PX15L HS CHM	
L37	1000104672	Screw BH M5x0.8Px10L HS CST CST CST CHM	
L38	070571	Washer Flat 5.2X10.0X1.5T CHM	
L41	1000345425	Stopper Ring Guide Rod Chrome GM41	
L42	1000104705	Screw RND M6x1.0Px15L HS CHM BP G8.8	
L45	1000102910	Circlip External C Type S-12 BED	
L46	1000108910	Washer Flat 12.5x23x1.0t CHM	
L50	1000102647	Screw Settle M5x0.8Px6L Top End BED	
Not Shown	ZMS4003224	Decal, QR, G7-S33 Div Lat Pull	
Not Shown	ZMS4001255	Battery, AA for console	
Not Shown	ZMD4007511	Iced Silver 2-Stage Touch-Up w/ Clear	
Not Shown	1000092648	Incremental Weight Plate Set 5LBS M40	
Not Shown	101039	Hardware Kit GM42-KM	
Not Shown	1000210805	Short User Kit	See ECR#2733
Not Shown	1000231409	Guide Rod Tube Stop	2 per unit
Q02	098985	Cover Left-Fron limpид ABS GM40	
Q04	098988	Cover Right-Front ABS/PA757 Limpид GM4	
Q05	098986	Grip Up Cover ADC12 GM40	
Q14	1000108805	Screw RND M8x1.25Px20L HS CHM BP G12.9	
V02	1000232600	Warning Label - - - PC - -	
V03	1000206252	Decal Weight Plate 10P GM40	
V09	0000086226	Nameplate Motor Cover LOGO T5X-02	
V10	101032	Decal Leg Pad ADJ GM42	
V11	1000099780	Illustration Decal Front GM42-KM	
V12	1000099781	Illustration Decal Rear GM42-KM	
V18	020699-A	Rivet 1/8X12.5L	
Z01	020294-ABX	Screw BH M10x1.5Px20L Chromed	
Z02	1000104691	Screw RND M10x1.5Px30L HS G12.9 CHM BP	
Z03	004518-00	Screw SH M10X1.5PX75L HS CHM	
Z04	1000108800	Screw RND M6x1.0Px12L HS CHM BP G10.9	
Z05	004479-ABX	Screw Hex Socket Round M8x1.25Px15L Cr A	
Z06	1000105259	Screw Round M10x1.5Px105L Hex Socket G12	
Z07	1000108796	Screw RND M10x1.5Px55L HS CHM BP G12.9	

You may need to drill out the ROM plate as bolt has changed from M8 to M10 as re-design. You may also need to send hardware C35, H07, and B40, and send updated leg pad frame AH1.

Z08	084667	Screw SH M10X1.5PX175L HS CHM
Z09	005130-00	Washer Flat 8.4x15.5x1.6T Chromed
Z11	1000204046	Washer Flat 6.4X14.0X3.0T Chromed
Z12	004938-00	Nut Nylon M6X1.0P Chromed
Z13	1000200891	Screw SH 8XM6X41L MT HS G12.9 CHM
Z14	1000108797	Screw RND M10x1.5Px110L-15L HS CHM BP G1
Z17	020081-00	Screw SH M8X1.25PX60L HS G12.9
Z18	1000103669	Washer Flat 8.2x14.0x1.5t Cr Plat
Z21	008523-B	Washer Arc M10x28x10.5T SS41
Z25	1000108794	Screw Hex M10x1.5Px30L CHM BP G8.8
16	Order Parts Separately	Leg Pad Set Vesicant GM42(service)
AB1	Part of Kit 1	Frame Set Painting GM42
AD1	Part of Kit 12	Left Pedal Arm Painting GM42
AD2	Part of Kit 13	Right Pedal Arm Painting GM42
AD4	Part of Kit 15	CON Rod Set Peadal Arm Painting GM42
AL3	Part of Kit 11	Top Weight Plate-SA -
AL4	1000108506	ADJ Base Three Incremental Weight Plate
B10	Part of Kit 2	Down Cover Fixing Frame Painting GM40-KM
B11	Part of Kit 3	UP Cover Fixing Frame Painting GM40-KM
B12	Part of Kit 4	Fixing Base Slide Pulley Painting GM40-K
B17	Part of Kit 5	Fixing Plate D PP GM40
B34	1000096514	UCB Matrix GM40 H102S1.60
J01	See Pad Matrix	Seat Pad
J02	See Pad Matrix	Leg Pad
J56	See Pad Matrix	Wear Cover
L13	Part of Kit 10	Dial GM41
L18	Part of Kit 10	ADJ Grip Incremental Weight Plate GM40-K
L20	1000108505	Cover Incremental Weight Plate PC GM40(s
Q01	Part of Kit 6	Cover Up ABS GM40

Q03	Part of Kit 9	Cover Rear ABS GM40	
Q05	Part of Kit 7	Grip Up Cover ADC12 GM40	
Q08	Part of Kit 8	Fixing Base PC GM40	
Q09	Part of Q06	Decal Plate U GM40	
10	1000108344	Incremental Weight Pin Set GM41(service) - D/C, NO REPL Par	Discontinued
12	1000108610	Pedal Arm Set Left(service)	Discontinued - Only compatible with units BEFORE G7GM1308GA016.
13	1000108609	Pedal Arm Set Right(service)	Discontinued - Only compatible with units BEFORE G7GM1308GA016.
3	1000104014	Lower Fixing Plate Weight Stack Shield	Discontinued
7	1000108345	Handle Weight Stack ADC12 GM40(service)	Discontinued - Order components
AF1	1000108612	Shaft Cam Semi-Assy GGM42-KM(service)	Discontinued
AG1	1000104136	Lower Connecting Frame Painting GM42	Discontinued
AG2	101011	Pedal Frame Set Right GM42-KM	Discontinued
AG3	101017	Pedal Frame Set Left GM42	Discontinued
AH1	1000104137	Leg Pad Frame Set Painting GM42	Discontinued - NOTE: The Leg Pad Frame Set was redesigned as part of the Ultra/G7 Upgrade. If unit still has the original Leg Pad Frame Set (the axle H11 is still held on by two screws) and it needs to be replaced, also order C35, H07, and Z08.
B24	004479-AB	Screw SH M8X1.25PX15L HS CHM BP	Discontinued
B25	005040-AB	Washer Flat 8.4X15.5X1.6T	Discontinued
B29	004869-00	Screw Phillip Sink Tapped 4x10L	replaced with 1000103438
B37	004360-00	Screw BH M4X0.7PX15L CT PH BZN	Discontinued
B58	1000104017	Stopper Plate Pulley Painting GM40	Discontinued
C22	1000108496	Fixing Plate Base PVC GM40(service)	Discontinued
C33	020112-A	Screw Hex Socket Round M10x1.5Px50L(Tooth15)	Replaced by 004549-00.
D07	096023	Balance Brick GM40	Discontinued
D08	004078-00	Ball Bearing 6005ZZ 25X47X12T SKF	Discontinued
D17	1000108793	Screw RND M5x0.8Px10L HS CHM BP G8.8	Replaced by 1000108801.
F06	1000104020	Stopper Plate Steel Rope Painting GM40-K	Discontinued
F07	096021	Axle Cam GM42	Discontinued

F09	1000092663	Screw SH 10XM8X46L HS G8.8 CHM	Discontinued
G17	1000104026	Fixing Plate Frame Painting GM40-KM	Discontinued
H07	1000095592	ADJ Plate Leg Pad SPHC 6.0t GM42	Replaced by 096020.
H14	1000108799	Screw RND M8x1.25Px25L HS CHM BP G8.8	Replaced by 004539-AD.
H23	005485-E	Spring Stretch SWP	Discontinued
L19	099043	Adjustable Pin Set Weight Plate GM40	Discontinued
L19	1000210654	Weight Stack Pin Set GM40	Discontinued
L41	062949-B	Limiters Ring Guide Rod	Discontinued - If problems arise, send 2 of part # 1000231409, see svc bulletin.
L46	1000105201	Washer FLT 12.5x23x1.5t CHM	Replaced by 100108910.
Not Shown	ZMS4000430	Touch Up Paint Silver G7	Discontinued
			Discontinued - This is a kit with Q06 & Q09 assembled. If out of stock, order Q06 (098980) and Q09 (1000096025)
Q06	ZMS4000950	G7 Cupholder assembly\\ D/C, NO REPL: Part will show as order separately instead.	
V02	099103	Warning Sticker GM40	Discontinued
V04	099101	Decal Grip Up Cover GM40	Discontinued
V07	1000100287	Label AL GM40	Discontinued
Z06	1000108798	Screw SH M10X1.5PX105L HS CHM	Replaced by 1000105259.
Z08	1000097206	Screw SH M8X1.25PX25L HS CHM BP	Replaced by 084667
Z17	1000108795	Screw RND M8x1.25Px60L HS CHM BP G8.8	Replaced by 020081-00